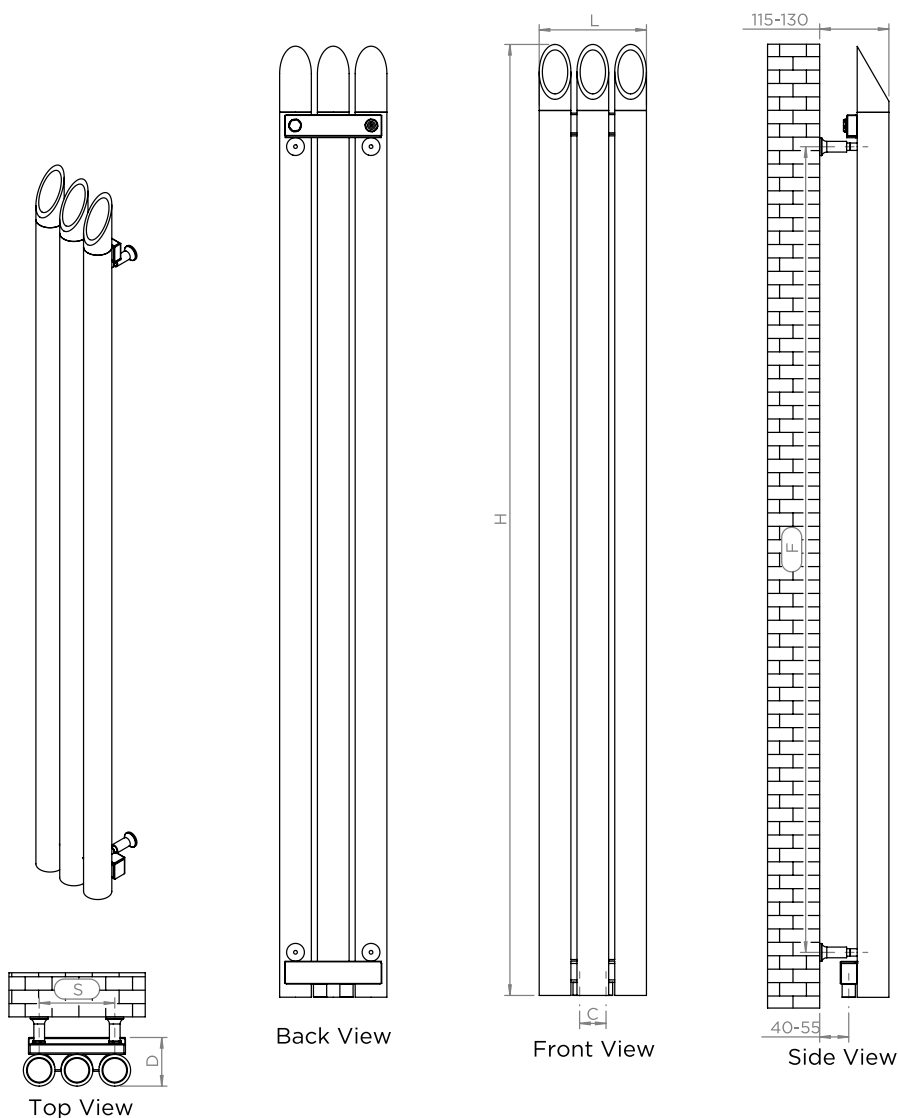


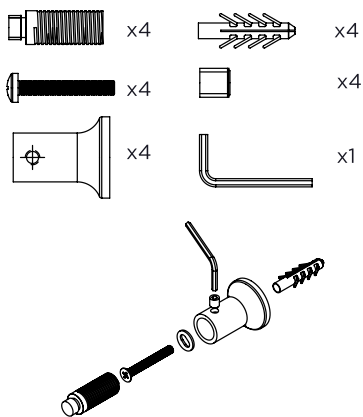
# BAMBOO WALL

ALL MEASUREMENTS ARE IN MILLIMETRES

MANUFACTURED FROM STAINLESS STEEL



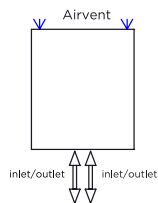
### Installation Accessories:



Vertical mount  
 All Dimensions are in mm  
 Max. Working Pressure: 10 Bar  
 Max. Working Temperature: 95° C  
 Inlet / Outlet : 1/2" BSP  
 Fuel : E/H/D

Manufacturing Tolerance : - 5 mm

### Plumbing Position:



Product Code	Height	Length	Depth	Pipe Centres	Bracket Centres	
	H mm	L mm	D mm	C mm	F mm	S mm
BAW118	1800	80	60	170	1525	-
BAW218	1800	130	90	50	1525	70
BAW318	1800	200	90	50	1525	140
BAW418	1800	270	90	50	1525	210
BAW518	1800	340	90	50	1525	280
BAW618	1800	410	90	50	1525	350
BAW818	1800	550	90	50	1525	490
BAW812	1200	550	90	50	925	490

Technical specifications are subject to change without prior notice.

AEON is the designer heating division of Pitacs Limited.  
 Pitacs Limited, Bradbourne Point, Bradbourne Drive, Tilbrook, Milton Keynes,  
 Buckinghamshire, MK7 8AT, UK

T: +44 (0)1908 271155 E: info@pitacs.com W: www.aeon.uk.com

