



Contemporary

Slinky mono sink mixer

Product Code: SLINKY118

Finish: Chrome

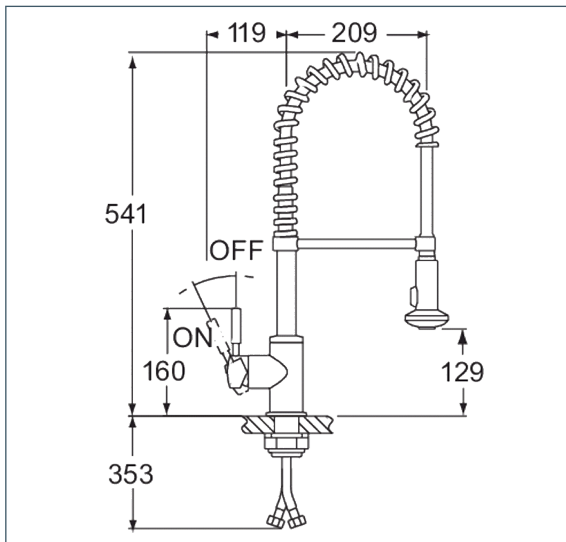
Features

Construction:	Brass & ABS
Valve/Cartridge type:	Ceramic Cartridge
Supply:	Suitable for high pressure only
Working Pressures:	1.0 - 5.0 bar
Inlet connections:	1/2" BSP
Flexi or Copper:	Flexi Tails

- Ceramic cartridge for smooth operation
- Swivel spout and pull out the rinser
- Tilt and turn temperature and flow control
- Two functions - standard flow and spray



*Please refer to website for full warranty details.



Flow (Bar - l/min, open outlet)

Spout

Flow 0.1	Flow 0.3	Flow 0.5	Flow 1.0	Flow 2.0	Flow 3.0	Flow 4.0	Flow 5.0



2109364

