

TPR15 & TPR22

Pressure & Temperature Relief Valves

Compact pressure and temperature relief valves designed to provide protection against over pressurisation, which can occur within an unvented hot water system if the input temperature or pressure controls fail. The valves are designed to be fitted to the upper portion of a hot water cylinder as this is where the hottest temperatures in the system will be found. If the system rises above 95°C, the wax mixture within the element of the temperature probe will expand, this will lift the valve off its seat and release water to waste, thereby reducing the pressure within the cylinder. Also if the water pressure increases (without temperature increase) the valve will stay closed until the set pressure of the relief mechanism is reached, at which point the valve will again open and the excess pressure is relieved. Some models come complete with a PTFE coating on the MBSP inlet thread which can save valuable time on installation.

| Product code | Size | Description |
|-----------------------|----------------|--------------------|
| TPR15 | | |
| <i>Standard Probe</i> | | |
| PTEM550852 | ½" MBSP x 15mm | 7.0 bar |
| PTEM550853 | ½" MBSP x 15mm | 10.0 bar with PTFE |
| PTEM550854 | ½" MBSP x 15mm | 7.0 bar with PTFE |
| PTEM550856 | ½" MBSP x 15mm | 4.5 bar with PTFE |
| PTEM550857 | ½" MBSP x 15mm | 6.0 bar with PTFE |
| PTEM550954 | 15mm x 15mm | 7.0 bar |
| <i>Short Probe</i> | | |
| PTEM550870 | ½" MBSP x 15mm | 7.0 bar |
| <i>Long Probe</i> | | |
| PTEM550951 | ½" MBSP x 15mm | 7.0 bar |
| PTEM550953 | 15mm x 15mm | 7.0 bar |
| PTEM550955 | ½" MBSP x 15mm | 10.0 bar |
| TPR22 | | |
| <i>Standard Probe</i> | | |
| PTEM575200 | ¾" MBSP x 22mm | 4.5 bar |
| PTEM575205 | ¾" MBSP x 22mm | 7.0 bar |
| PTEM575210 | ¾" MBSP x 22mm | 10.0 bar |
| <i>Short Probe</i> | | |
| PTEM575870 | ¾" MBSP x 22mm | 7.0 bar |
| <i>Long Probe</i> | | |
| PTEM575250 | ¾" MBSP x 22mm | 7.0 bar |



TPR15 & TPR22 Pressure & Temperature Relief Valves

Features and benefits

- Protect against temperature rising beyond 95°C
- Prevent over pressurisation
- Twist top cartridge design for easy servicing
- Range of different pressure settings and different probe lengths available
- Complete with PTFE coating (some models)

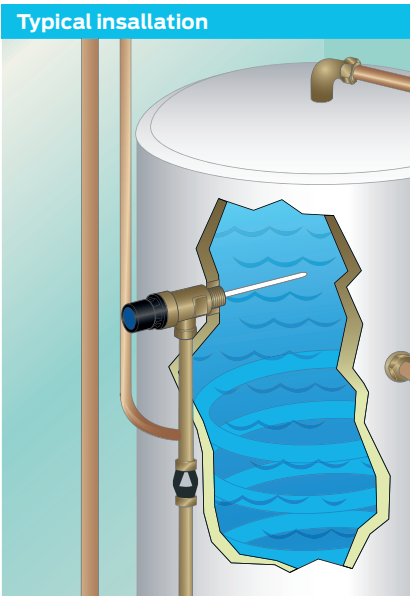
Specifications

| | |
|-----------------------------|----------------------------|
| Temperature relief | 90-95°C |
| Pressure relief tolerance | +/-5% |
| KW rating | TPR15: 10kW TPR22: 25kW |
| Maximum ambient temperature | 100°C |
| Short probe length | 30mm |
| Standard probe length | 95mm |
| Long probe length | 200mm |

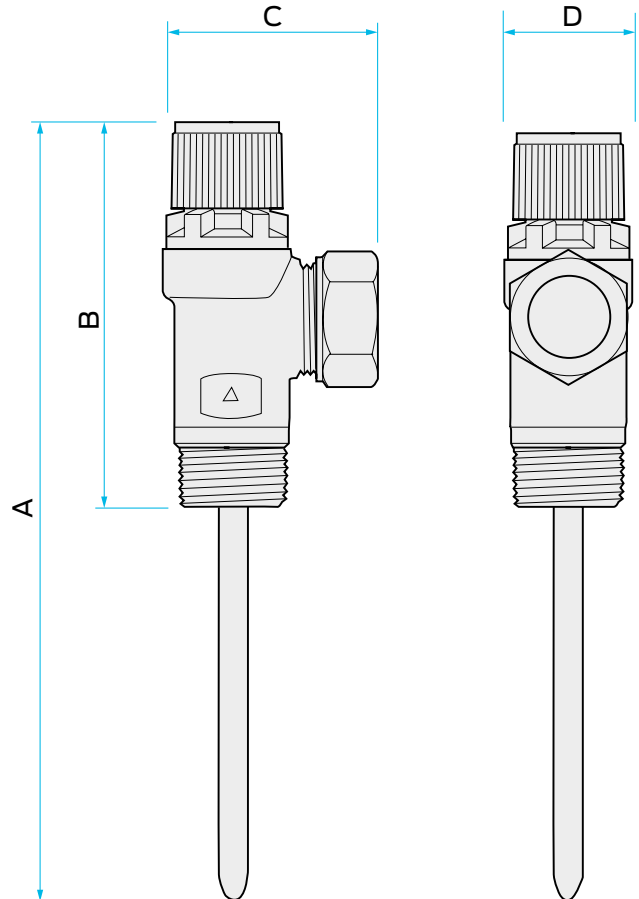
Standards and approvals

- BS EN 1490
- WRAS Approved

Typical installation



Dimensions – All measurements in mm unless otherwise stated



| Product code | A | B | C | D |
|--------------|-----|----|----|----|
| PTEM550852 | 187 | 88 | 49 | 31 |
| PTEM550853 | 187 | 88 | 49 | 31 |
| PTEM550854 | 187 | 88 | 49 | 31 |
| PTEM550856 | 187 | 88 | 49 | 31 |
| PTEM550857 | 187 | 88 | 49 | 31 |
| PTEM550954 | 187 | 88 | 49 | 31 |
| PTEM550870 | 124 | 88 | 49 | 31 |
| PTEM550951 | 291 | 88 | 49 | 31 |
| PTEM550953 | 291 | 88 | 49 | 31 |
| PTEM550955 | 291 | 88 | 49 | 31 |
| PTEM575200 | 187 | 98 | 52 | 31 |
| PTEM575205 | 187 | 98 | 52 | 31 |
| PTEM575210 | 187 | 98 | 52 | 31 |
| PTEM575870 | 124 | 98 | 52 | 31 |
| PTEM575250 | 291 | 98 | 52 | 31 |