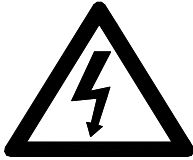




MYSON

MYSON MRT1: ROOM TEMPERATURE THERMOSTAT. INSTALLATION INSTRUCTION.

PRECAUTIONS AGAINST ELECTRIC SHOCK HAZARD.



Disconnect mains supply before removing cover.

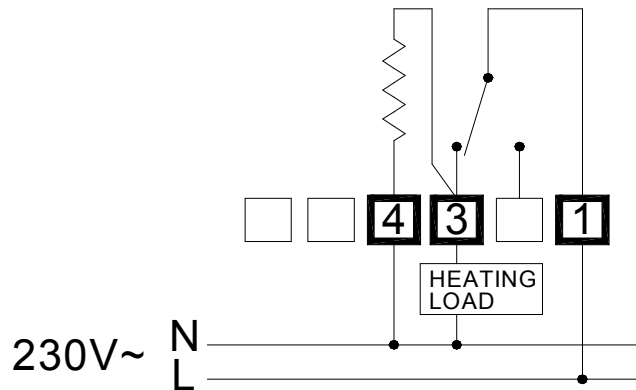
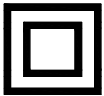
Installation & maintenance must be carried out by suitably qualified personnel and in accordance with current IEE wiring regulations.

Do not mount to unearthed metal or metalised surfaces.

Fixed wiring installation must be employed. A class 'A' switch, (having contact separation of at least 3mm in all poles) must be incorporated in the fixed wiring as a means of disconnecting the supply. Use a fuse rated at 3 amps to protect the system.

TECHNICAL DATA.

Function:	Control of room temperature by electrical switching of control circuit.
Construction:	Electro Mechanical Switch.
Supply Voltage:	230V~, 50Hz.
Switch Rating:	15(2.5)A
Enclosure Insulation:	Class II, (double insulated).
Enclosure Protection:	IP20.
Pollution Situation:	Normal.
Ambient Temperature:	0 to 50°C.
Ambient Humidity:	5 to 95% Relative Humidity.
Operating Range:	6 to 30°C.
Switching Differential:	1.3°C.
Installation Details:	See wiring diagram below and installation instructions overleaf.



CIRCUIT WIRING DIAGRAM.



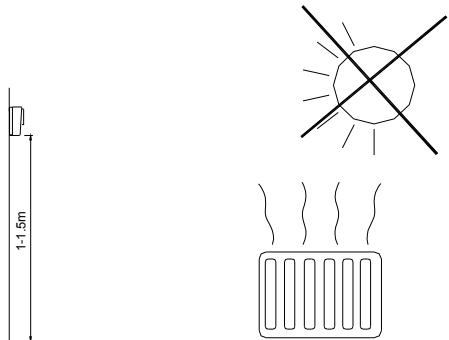
MYSON

MYSON CONTROLS
MYSON LTD, EASTERN AVENUE,
TEAM VALLEY, GATESHEAD,
TYNE & WEAR, NE11 0PG
SALES OFFICE No.: 0845 402 3434

IN ACCORDANCE WITH OUR POLICY OF CONTINUAL PRODUCT IMPROVEMENT, WE RESERVE THE RIGHT TO AMEND THE SPECIFICATION OF THESE PRODUCTS WITHOUT PRIOR NOTIFICATION.

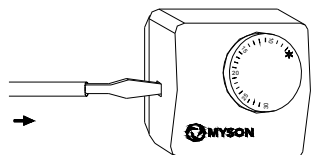
INSTALLATION INSTRUCTION.

POSITIONING OF THERMOSTAT.

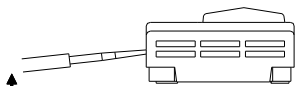


- 1: Locate the thermostat at a height between 1 and 1.5 metres from the floor.
- 2: Do not locate in a position directly exposed to heat from the radiator, sunlight, or other heat sources
- 3: In the case of a room with a single radiator, locate on the wall adjacent to the wall of the radiator
- 4: In the case of a room with multiple radiators, try to locate on a wall central to all radiators

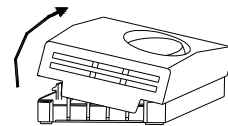
COVER REMOVAL.



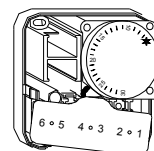
- 1: Insert blade of screwdriver into the clip slot on the side of the thermostat.



- 2: Lever screwdriver upwards to prise the cover off the clip.



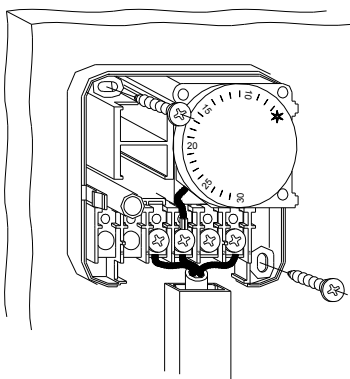
- 3: Rotate cover free of the thermostat.



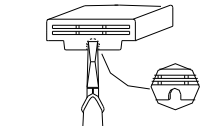
- 4: Remove the terminal cover.

Wall Fixing. (Choose either Surface or Concealed Wire Fixing.)

Surface Fixing.



- 1: Fix thermostat to wall using two screws as shown.
- 2: Route the cable in cable trunking as shown.
- 3: Wire as indicated in wiring diagram overleaf.

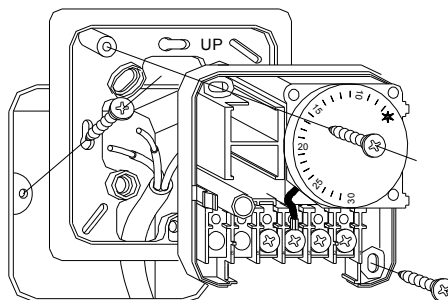


- 4: Use pliers to remove 'break-out' from the cover so as to allow cover fit over surface cable.

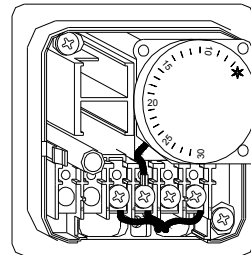


(recommended practice)

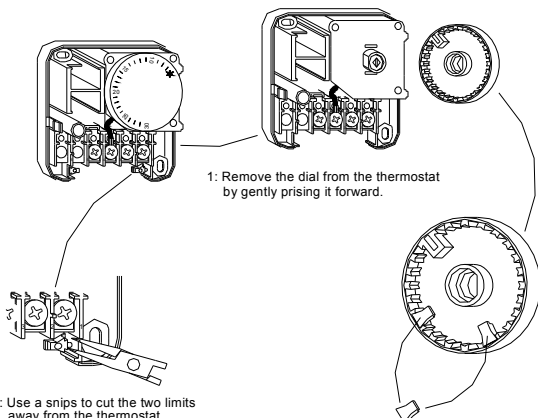
Concealed Wire Fixing.



- 1: Fix backplate to wall box using two screws as shown.
- 2: Route the cable through the backplate and beneath the terminals of the thermostat.
- 3: Fix the thermostat to the backplate using two screws as shown.
- 4: Wire as indicated in wiring diagram overleaf.



FITTING TEMPERATURE LIMITS.



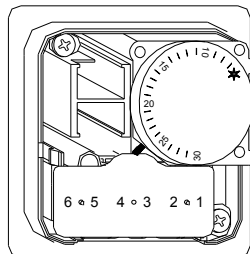
- 1: Remove the dial from the thermostat by gently prising it forward.

- 2: Use a snips to cut the two limits away from the thermostat.

- 3: Fit the limits to the rear of the dial as shown.

- 4: Refit the dial to the thermostat ensuring that the flat of the dial hub lines up with the flat of the thermostat spindle.

REASSEMBLY.



- 1: Fit terminal cover over the terminals.
- 2: Locate cover over thermostat so that the two locating protrusions of the thermostat align with their matching receptacles on the inside of the cover.
- 3: Rotate cover downwards so that it engages on the thermostat clip.

