



Lever

Lever action mono sink mixer

Product Code: DLT104

Finish: Chrome

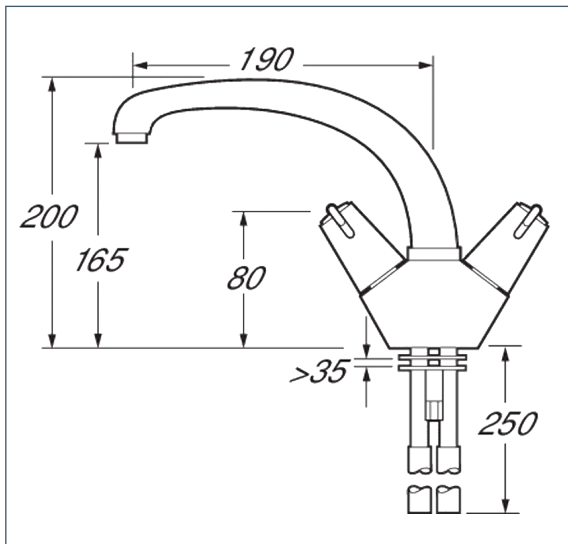
Features

- Construction: Brass
- Valve/Cartridge type: Ceramic Disc
- Supply: Suitable for all plumbing systems
- Working Pressures: 0.1 - 5.0 bar
- Inlet connections: 15mm Copper
- Flexi or Copper: Copper Tails

- Swivel Spout
- Dual Flow
- Ceramic disc handles ensure a smooth operation
- Products which are easy to use by all the family



*Please refer to website for full warranty details.



Flow (Bar - l/min, open outlet)

Spout	Flow 0.1	Flow 0.3	Flow 0.5	Flow 1.0	Flow 2.0	Flow 3.0	Flow 4.0	Flow 5.0
	5	8.2	10.8	13.5	16.2	18	22	28



2001323

