



DCM

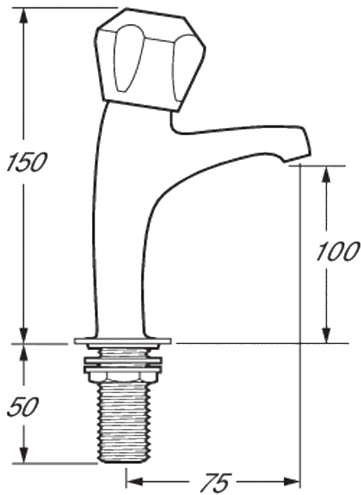
Profile sink taps

Product Code: DCM103

Finish: Chrome

Features

Construction:	Brass
Valve/Cartridge type:	Standard
Supply:	Suitable for all plumbing systems
Working Pressures:	0.1 - 5.0 bar
Inlet connections:	1/2" BSP
Flexi or Copper:	Plastic Backnuts



*Please refer to website for full warranty details.

Flow (Bar - l/min, open outlet)

Spout

Flow 0.1	Flow 0.3	Flow 0.5	Flow 1.0	Flow 2.0	Flow 3.0	Flow 4.0	Flow 5.0
8	11	16	18	20	25	30	34



1710397

