



Coronation Range

Coronation high neck sink taps

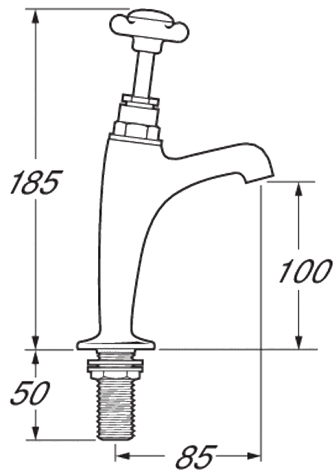
Product Code: CR27A

Finish: Chrome

Features

- Construction: Brass & Resin
- Valve/Cartridge type: Standard
- Supply: Suitable for all plumbing systems
- Working Pressures: 0.1 - 5.0 bar
- Inlet connections: 1/2" BSP
- Flexi or Copper: Plastic Backnuts

• 1/2" BS1010



*Please refer to website for full warranty details.

Flow (Bar - l/min, open outlet)

Spout

Flow 0.1	Flow 0.3	Flow 0.5	Flow 1.0	Flow 2.0	Flow 3.0	Flow 4.0	Flow 5.0
8	11	16	18	23	27	30	34

