



Coronation

Coronation bath taps

Product Code: CR20

Finish: Chrome

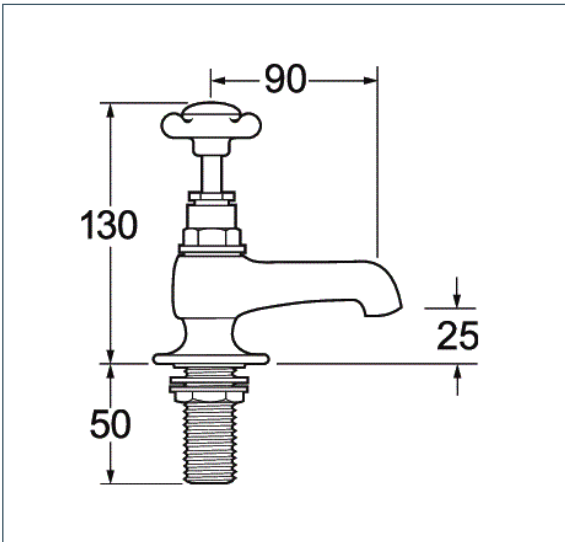
Features

- Construction: Brass
- Valve/Cartridge type: Standard
- Supply: Suitable for all plumbing systems
- Working Pressures: 0.1 - 5.0 bar
- Inlet connections: 3/4" BSP
- Flexi or Copper: Plastic Backnuts

· Optimised for bath filling



*Please refer to website for full warranty details.



Flow (Bar - l/min, open outlet)

Spout

Flow 0.1	Flow 0.3	Flow 0.5	Flow 1.0	Flow 2.0	Flow 3.0	Flow 4.0	Flow 5.0
8	12	16	21	30	36	39	43



1307013

